



# CAPITAL 100

FAÇADE LIGHTING

Hosting 32 premium quality high power LEDs, **CAPITAL 100** delivers remarkable performances from a strikingly compact body. Tailored to the demanding needs of the most imaginative architectural lighting specifications, this flexible and highly versatile floodlight is suitable for a variety of installations where a reduced mounting space leaves no wide choice to the most innovative lighting designers.

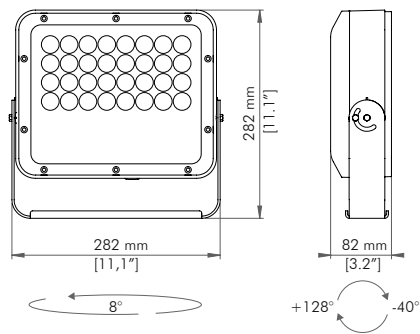


CAPITAL 100

GRIVEN

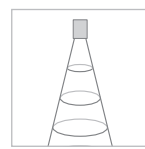
# CAPITAL 100

GRIVEND 



## BEAM ANGLE REFERENCE

RGBW		WHITE LIGHT	
SPOT	8°	SPOT	12°
NARROW	12°	NARROW	15°
MEDIUM	23°	MEDIUM	25°
WIDE	43°	WIDE	47°
EXTRA WIDE	68°	EXTRA WIDE	61°
ELLIPTICAL	11°x41°	ELLIPTICAL	14°x39°
ELLIPTICAL WIDE	22°x39°	ELLIPTICAL WIDE	23°x37°
WALL WASH	14°(5° incline)x37°	WALL WASH	19°(5° incline)x38°



MAX OUTPUT  
7665 lm  
(SP CW configuration)

PHOTOMETRIC DETAILS AVAILABLE ON OUR WEBSITE

## FEATURES AND OPTIONS



## ACCESSORIES



## CODES

AL5005 CAPITAL 100

AL5007 CAPITAL 100 POLAR EDITION

## OPTICS

SP Spot  
NA Narrow  
ME Medium  
WI Wide  
EW Extra wide  
EL Elliptical  
WL Elliptical wide  
WW Wall wash

## LED TYPE

RN RGB+W 4000K  
DW From 2700K to 6500K  
CW Cold White 6500K  
NW Natural White 4000K  
WW Warm White 3000K

## CONTROL SYSTEM

R DMX-RDM  
W DMX-RDM wireless  
D DALI

## FINISH

W White RAL 9003  
G GRIVEN Grey  
A Anthracite RAL 7016  
B Black RAL 9005

## CABLE TYPE

S POWER IN, DMX IN, DMX OUT  
C Monocable with connectors  
M Monocable without connectors  
D POWER IN, DALI IN, DALI OUT

## NOTES

Unless an RDM compatible control is used, CAPITAL 100 must always be purchased with AL1321 Infrared Remote Control. More CAPITAL 100 units can be controlled with one AL1321.

## TECHNICAL SPECIFICATIONS

CAPITAL 100 is an IP67 compact floodlight, whose die cast aluminium body hosts 32 high brightness RGBW, Dynamic White, Cold White, Natural White, Warm White or, on request, monochrome power LEDs. Dimensions: 282 mm x 82 mm x 282 mm. Available in DMX, automatic and Master-Slave mode, it also features RFU (Remote firmware update), and RDM (Remote device management) functions. DALI or DMX-RDM wireless control available on request. Unless an RDM compatible control is used, one Infrared Remote Control AL1321 must always be purchased for one or more CAPITAL 100 units in order to access DMX addressing, stand-alone operations and DMX channels configurations. Power supply: standard 100÷277V / 50-60Hz. Power consumption: RGBW 0.32A @ 230V / 72.5W max, W 0.31A @ 230V / 69W max. An Electrical Class I appliance, it also features self-resetting fuse protection as well as integrated electronic thermal protection management. The Polar Edition, fitted with an integrated de-icing system with electrically heated glass, is available on request. Operating temperature: -40°C to 50°C (-40°F to 122°F).

DIGITAL CONTROL SYSTEM SPECIFICATIONS AND CONFIGURATIONS AVAILABLE ON OUR WEBSITE

